

## 1. OUTLINE OF SYSTEM

1-1. General description of system (ref: attached flow sheet diagram)

Crushed and dried soy beans stored in the feed hopper is charged at controlled rate to Hosokawa Fine Pulverizer through Bin Activator and 2 sets of screw feeders. The materials charged by screw feeder are induced, with an air, to the pulverizing section and are pulverized by an action of high-speed revolving rotor.

Finely pulverized particles are transported, by up-ward air stream, to classifying section where the particles are classified to two fractions. Some of the classified coarse particles descend to pulverizing section for further size reduction while the majorities of coarse particles is discharged from the unit through coarse outlet provided at the classifier housing and is charged back to the Fine Pulverizer with virgin materials.

The classifier fines discharged from the fines outlet situated at the top of the classifier section are conveyed, with air stream, into the product collector in which air is separated from the finely pulverized soy beans which is discharged from the product collector through screw conveyor and/or rotary air lock valves.

The clean air from the product collector is discharged into the atmosphere through the blower.

1-2. Expected performance

### 1) Design criterion

- a) Name of material : Crushed soy beans
- b) Size of feed material : Precrushed to less than 3 mm
- c) Feed material Temperature : Less than 25°C
- d) Moisture content in feed material : Less than 8%
- e) Fat content in feed material :
- f) Product capacity : 3,500 - 4,000 kgs/h
- g) Product fineness : 87 - 92% through 100 mesh
- h) Installation site : Indoor





# TECHNICAL SERVICE

DATE \_\_\_\_\_

No. \_\_\_\_\_ / 3

Motor : 22 Kw 4 P 60 Hz Variable speed  
 (500 - 2000 R/M)  
 (Supplied by others)  
 Vee Pulley : Driven side ---- 280  $\phi$  x 5 V - 4 grooves  
 Drive side ---- 260  $\phi$  x 5 V - 4 grooves  
 Vee belt : 5 V 800 L 4 pcs

## 2-2. Rotary Valve

Model : RV-20IND  
 Rotor speed : 33.5 R/M  
 Discharge volume : 7 l/revolution  
 Material for blades : Carbon steel  
 Number of blades : 6 pcs.  
 Motor : 0.4 Kw 4 P 1/30 G.M. (supplied by others)  
 Sprocket : Driven side ---- JISS0 N29  
 Drive side ---- JISS0 N16  
 Roller chain : JISS0 62L

## 2-3. Accessories to be supplied with unit

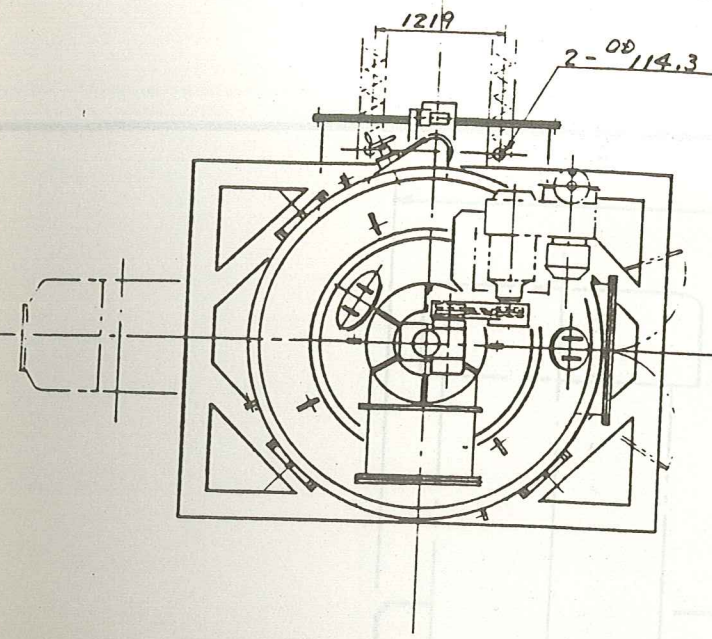
- a) Anchor bolts M24 x 400L 10 pcs  
 M30 x 600L 16 pcs
- b) Special tools for opening the pulverizer housing ---- 2 sets
- c) Hook wrench type 44 ---- 1 pce
- d) Hook wrench type 32 ---- 1 pce
- e) Box wrench ---- 2 pcs.
- f) Special bar for removing king pins ---- 2 pcs.

Note: Items from b) to f) above are supplied with first unit only

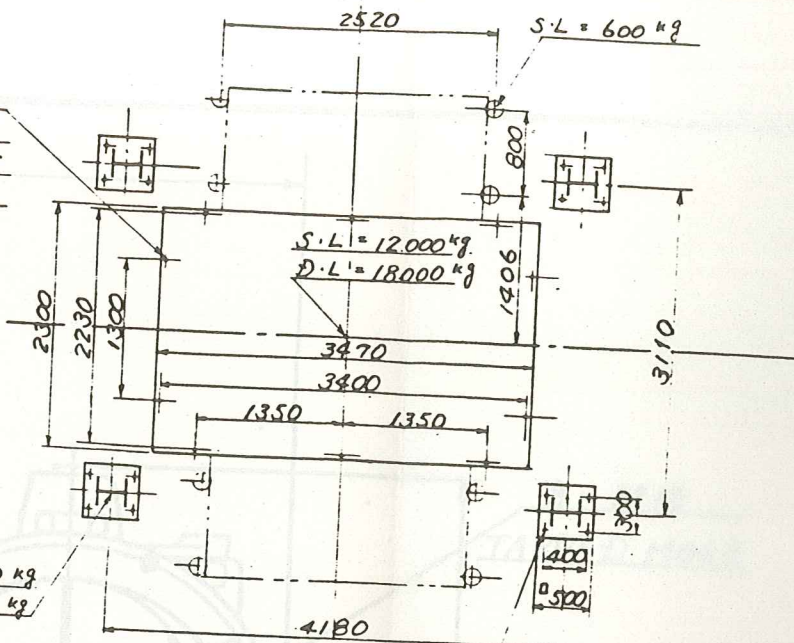
## 2-4. Spare parts (To be shipped with second unit)

- a) For FP-7
  - Bearings NU324 1 pce x 2
  - Bearings (30326 with spacer ) 2 pcs x 2
  - Bearings 22332MC3 2 pcs x 2
  - Bearings 51106 2 pcs x 2
  - Oil seals TB14017014 2 pcs x 2
  - Oil seals SB8010513 2 pcs x 2
  - King pins 80 pcs x 2
  - Hammers 240 pcs x 2
  - Liner (with bolts) 6 mm thickness 1 set x 2
  - Smooth liner with bolts 4.5 mm thickness 1 set x 2
  - Rubber liner with bolts 6 mm thickness 1 set x 2
  - Thread locking liquid 1 bottle x 2
- b) For RV-20IND
  - Oil seals SB284411 2 pcs x 2
  - Felt seals 2 pcs x 2
  - Bushings 2 pcs x 2
  - Blades Carbon steel 6 pcs x 2





10- $\phi$ 27 DRILL  
10-M24 x 400<sup>L</sup>  
FOUNDATION BOLT  
WITH NUT, SW



S.L = 3050 kg  
D.L = 7200 kg

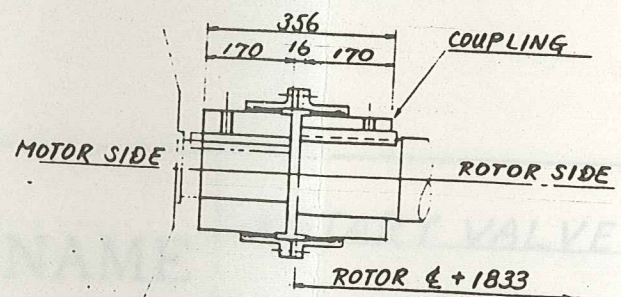
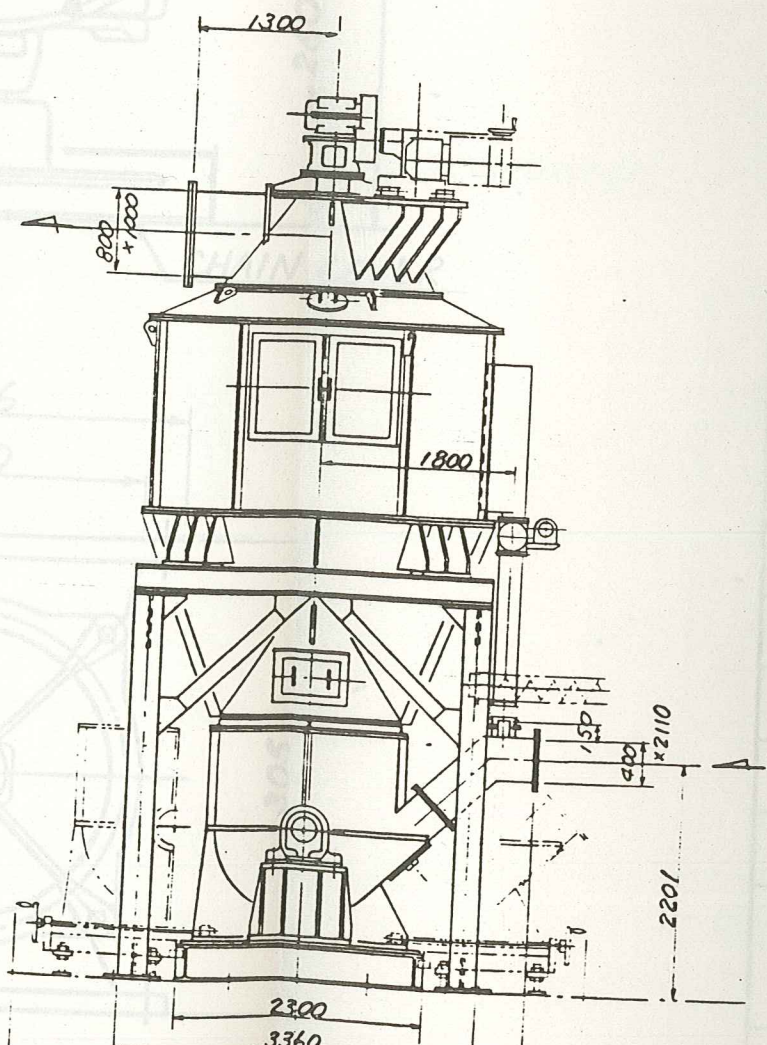
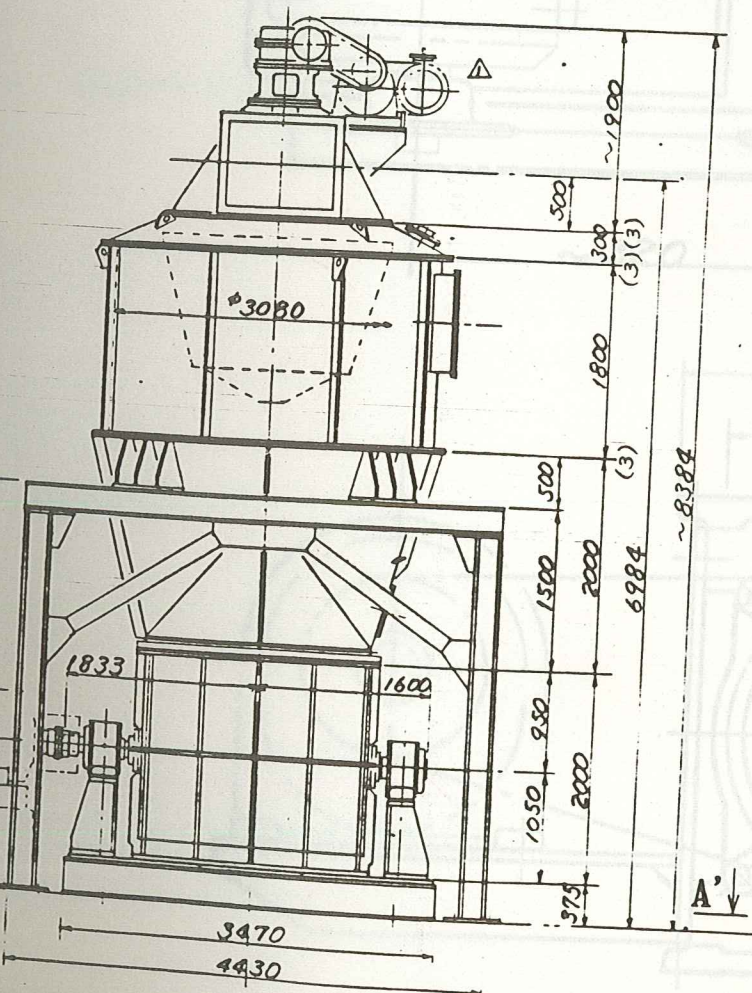
S.L = 12000 kg  
D.L = 18000 kg

4x4- $\phi$ 33 DRILL  
4x4-M30x600<sup>L</sup>  
FOUNDATION BOLT,  
WITH DOUBLE NUT, PW

**SPECIFICATIONS**

- CONSTRUCTION :** MILD STEEL
- PULVERIZING SECTION**  
**MOTOR (LOCALLY SUPPLY):** 450KW, 8P, 2300V, 60HZ  
**COUPLING :** GC-SSMH 315 (SEISA)  
**ROTOR SIZE :**  $\phi$ 1650 x 2046 W  
**ROTOR SPEED:** 900 R.P.M
- CLASSIFYING SECTION**  
**MOTOR (LOCALLY SUPPLY):** 22 KW, 4P, 460V, 60HZ  
**VARIABLE SPEED** 500 ~ 2000 R.P.M  
**GEAR BOX :** MHVW 200 LU, 1/10 (MITSUBISHI)  
**ROTOR SPEED:** 40 ~ 160 R.P.M (MAX 180 R.P.M)
- ROTARY AIR LOCK**  
**MOTOR (LOCALLY SUPPLY):** 0.4 KW, 4P, 1/30 GM, 460V, 60HZ  
**ROTOR SPEED:** 33.5 R.P.M

**PAINTING COLOUR :** WHITE  
**APROX WEIGHT :** 25000 kg



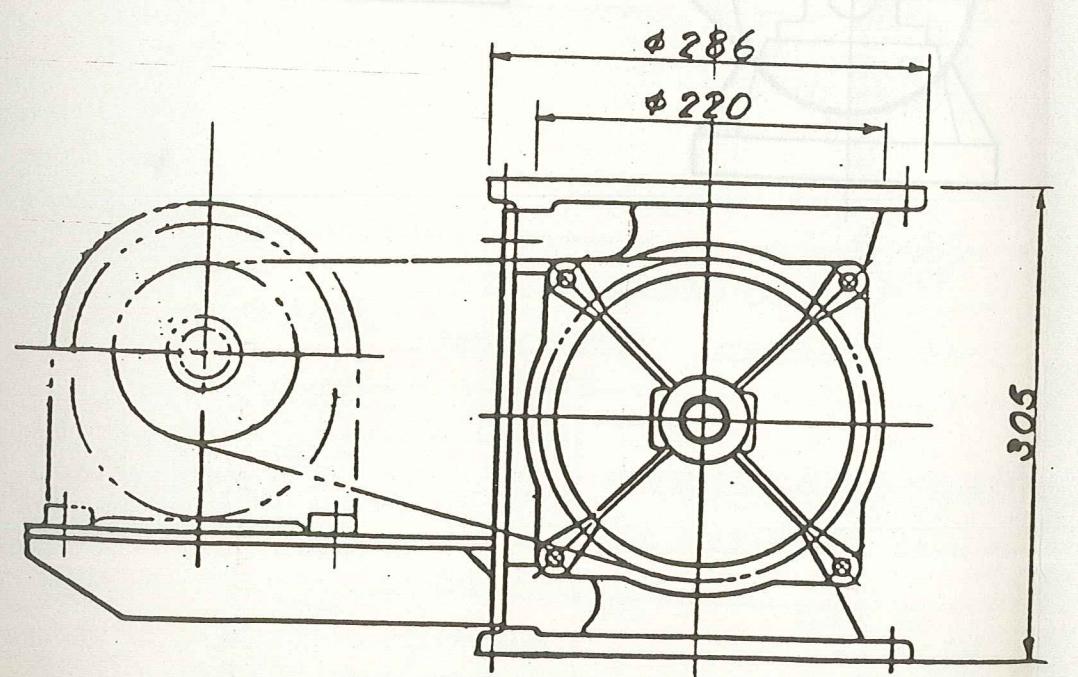
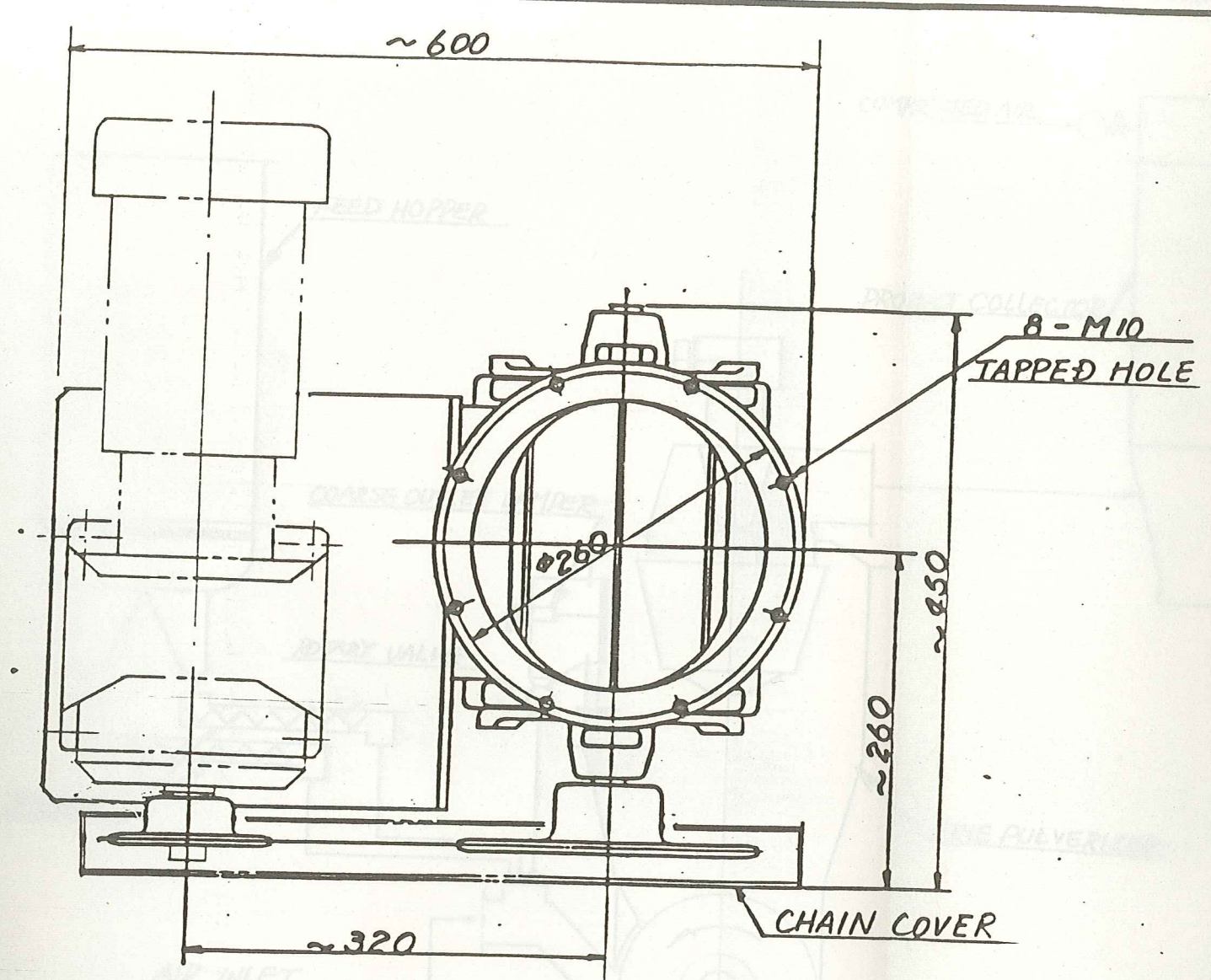
DETAIL OF COUPLING SECTION (S=1/10)

Δ	CLASSIFYING MOTOR	OCT. 29, 81
•	COUPLING	
REV. NO.	REVISIONS	DATE

NAME	HOSOKAWA / MICRON FINE PULVERIZER	
	MODEL FP-7 DIMENSIONAL DRAWING	
CHIEF OF DEPART	K. Kohmura	MESSRS
CHIEF OF SECTION	Y. Higuchi	ALIMENTOS BALANCEADOS
CHIEF OF SUB SECTION		DE MEXICO, S.A. DE C.V.
CHECKED BY	T. Motani	
DRAWN BY	Oy Masun	SCALE: 1/50
		SERIAL NO. 510028

**HOSOKAWA MICRON**





SPECIFICATIONS

- MATERIAL OF CONSTRUCTION : FC20, SS41
- ROTOR SPEED : 33.5 R.P.M
- DISCHARGING VOLUME PER ONE REVOLUTION 7 l
- MATERIAL OF ROTOR BLADE : SS41
- MOTOR (LOCALLY SUPPLY) : 0.4 KW 4P 1/30 GM  
460 V 60 Hz
- SPROCKET DRIVEN : JIS 50 N 29
- SPROCKET DRIVE : JIS 50 N 16
- ROLLER CHAIN : JIS 50 62 L
- APPROX WEIGHT : 80 kg
- PAINTING : WHITE

NAME	ROTARY VALVE MODEL RV-20 IN D		
	DIMENSIONAL DRAWING		
CHIEF OF DEPART		MESSRS	
CHIEF OF SECTION		ALIMENTOS BALANCEADOS	
CHIEF OF SUB SECTION		DE MEXICO, SA. DE. C.V.	
CHECKED BY	J. Hatori	SCALE	SERIAL NO.
DRAWN BY	A. Masui	~	510028
<b>HOSOKAWA MICRON CORP.</b>			
OSAKA JAPAN			
DRAWN ON			